

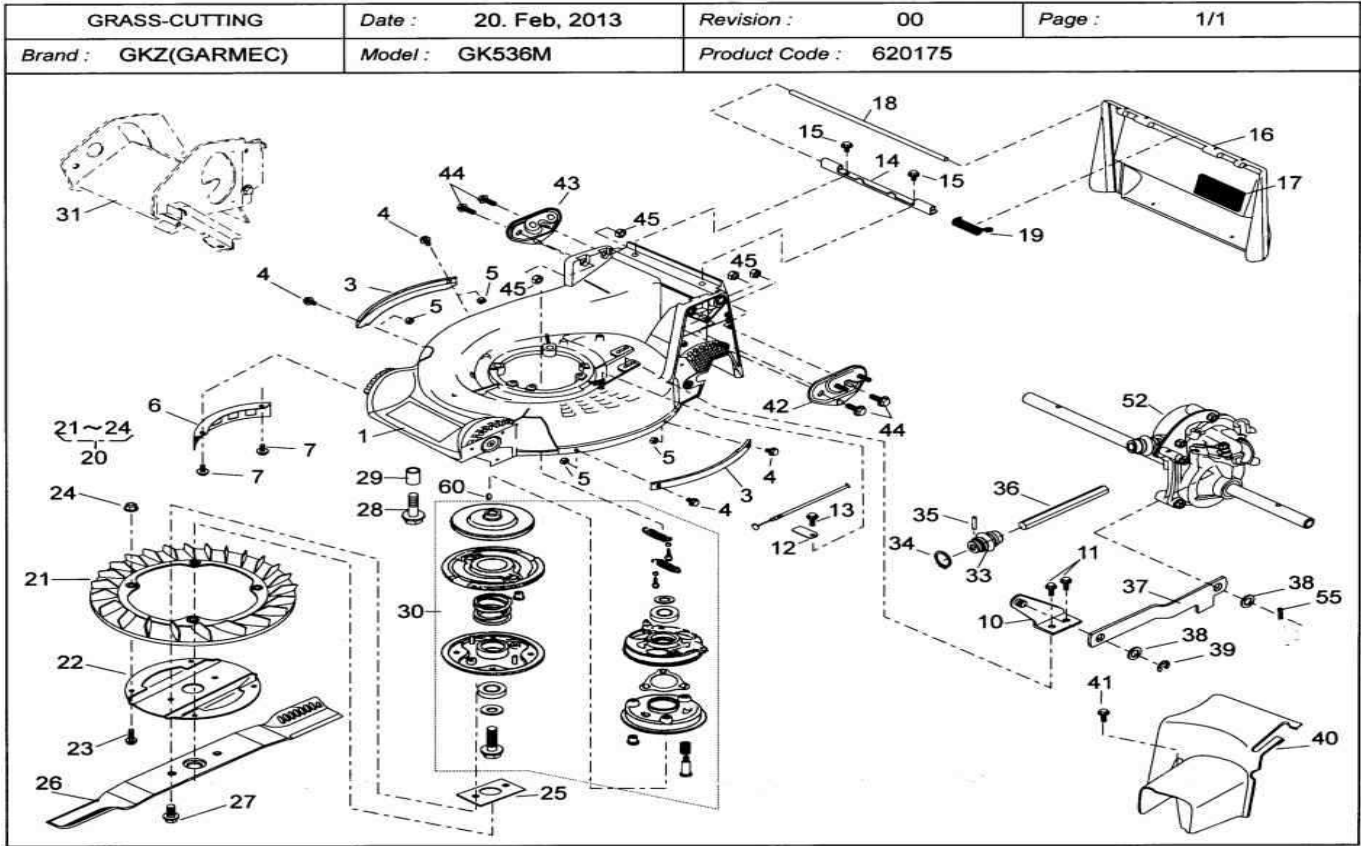
Select brand Product range Model name

Select model code ...Choose section

Indicate component part ...Choose section

Indicate engine model Choose. ...Choose section

※Enter information in the green box to narrow down the search and then click the "Search" button.



(A) GK536M

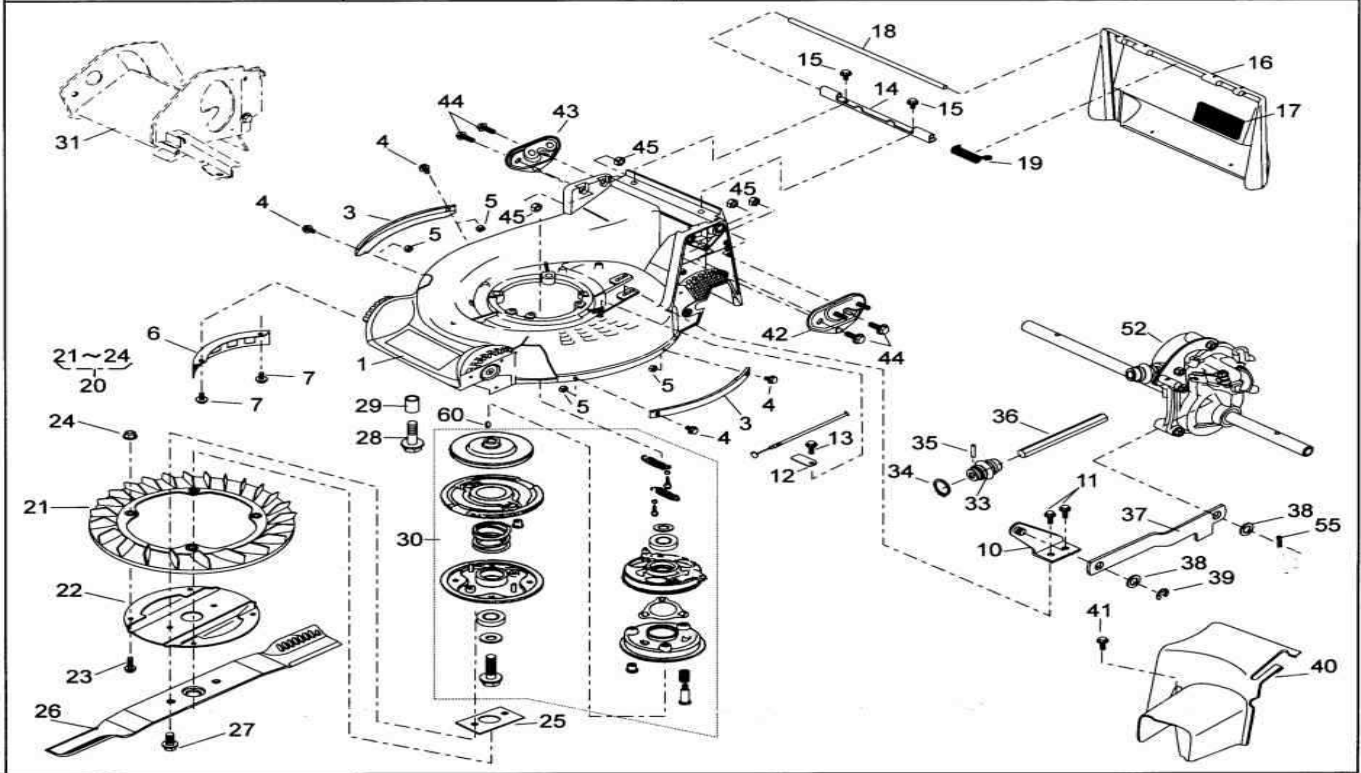
(B)

(C)

Ref.No	Parts.No	Parts.Name	(A)Q`ty	(B)Q`ty	(C)Q`ty	Remark
1	51043-151-33	HOUSING	1			
3	51090-117-09	PROTECTOR	2			
4	335L0616	FLANGE BOLT	4			
5	512L0600	HEXAGON NUT	4			
6	36065-180	COVER	1			
7	342L0612	FLANGE TAPPING BOLT	2			
10	11006-155	STAY C.P.	1			
11	342L0612	FLANGE TAPPING BOLT	2			
12	11113-407	STAY	1			
13	342L0612	FLANGE TAPPING BOLT	1			
14	11113-292	STAY	1			
15	342L0612	FLANGE TAPPING BOLT	2			
16	36068-196-49	GUARD	1			
17	36080-149	RUBBER SHEET	1			
18	64014-324	SHAFT	1			
19	68013-336	SPRING	1			
20	71082-111	FAN ASS Y	1			
21	51125-103	FAN	1			
22	11102-151	HOLDER	1			
23	31062-169	PRE-COAT LOCK BOLT	4			
24	579L0600	FLANGE NUT	4			
25	61024-208	SPACER	1			
26	91014-188	BLADE	1			
27	31057-197	BOLT	2			
28	31057-243	BOLT	4			
29	61024-142	SPACER	3			
30	71067-106	BRAKE A Y(BBC530-KAZ	1			
33	91097-101	UNIVERSAL JOINT	1			
34	812V2000	C-SNAP RING	1			
35	717B0418	PARALLEL PIN	1			

※Enter information in the green box to narrow down the search and then click the "Search" button.

GRASS-CUTTING	Date : 20. Feb, 2013	Revision : 00	Page : 1/1
Brand : GKZ(GARMEC)	Model : GK536M	Product Code : 620175	



(A) GK536M

(B)

(C)

36	64014-358	SHAFT	1			
37	91049-135	CONNECTOR	1			
38	68036-280	WASHER (10.5x18x1.6)	2			
39	816V0800	E-SNAP RING	1			
40	36065-438	COVER	1			
41	342L0616	FLANGE TAPPING BOLT	1			
42	51116-149	HANDLE BRACKET	1			
43	51116-150	HANDLE BRACKET	1			
44	31057-255	BOLT (M8x25)	4			
45	512L0800	HEXAGON NUT	4			
52	71008-275	GEAR CASE ASS Y	1			
55	733L1000	SNAP PIN	1			
60	94401-16150	WOODRUFF KEY (16x15)	1			

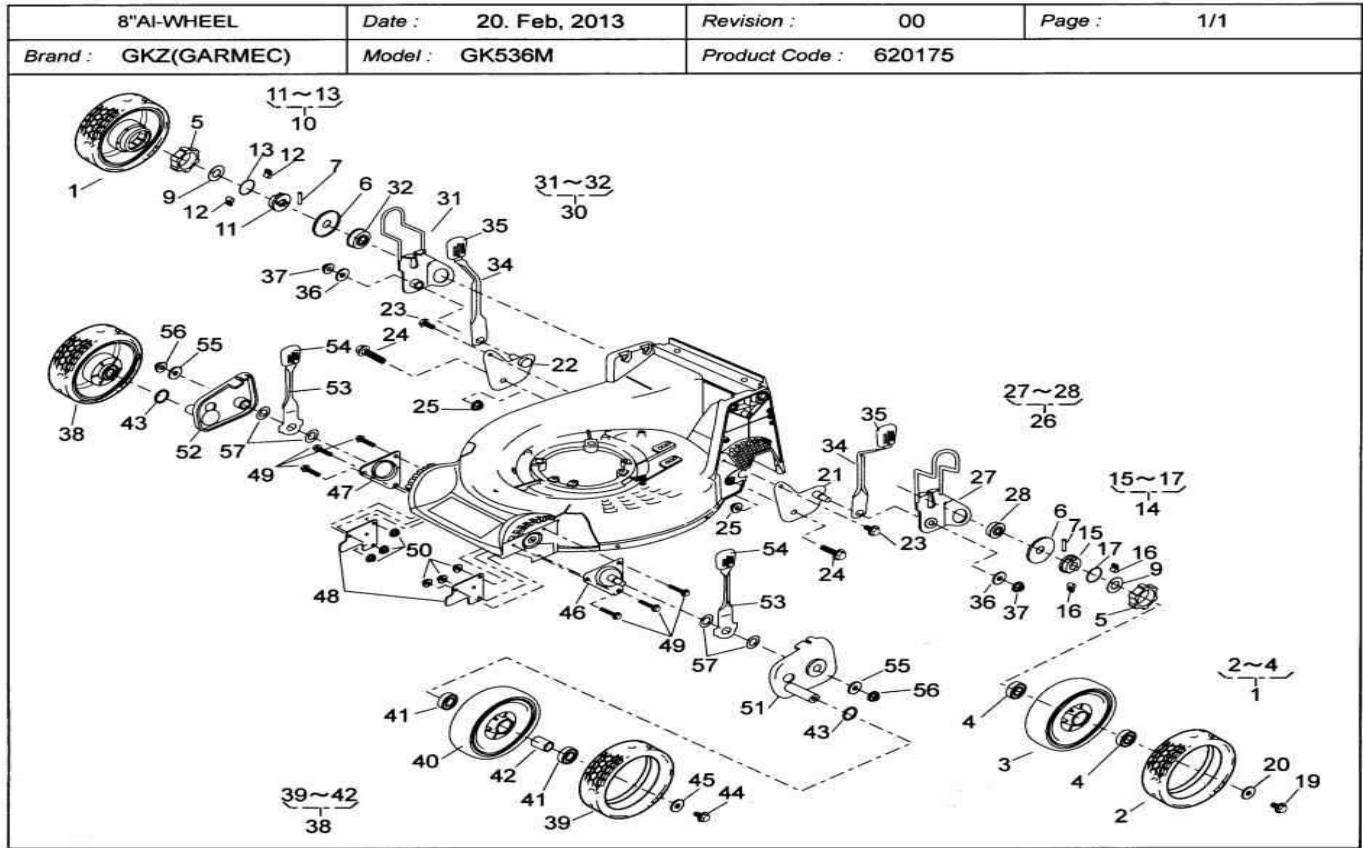
Select brand etc Product range Lawn Mower Model name GK536M Search

Select model code 620175 : LM5360HXA-175 RD ..Choose section 8"AI-WHEEL < > Reset

Indicate component part ...Choose section < > Reset

Indicate engine model Choose. Search ...Choose section < > Reset

※Enter information in the green box to narrow down the search and then click the "Search" button.



(A) GK536M

(B)

(C)

Ref.No	Parts.No	Parts.Name	(A)Q'ty	(B)Q'ty	(C)Q'ty	Remark
1	71041-136	WHEEL ASS Y	2			
2	91086-113	TIRE	2			
4	916B6002	BEARING (6002DDC3)	4			
5	11086-119	STOPPER	2			
6	61003-112	THRUST PLATE	2			
7	31034-137	PIN	2			
9	68036-146	WASHER (16x31.5x1.0)	2			
10	71158-104	RATCHET ASS Y	1			
11	11102-235	HOLDER	1			
12	31034-170	PIN	2			
13	68013-266	SPRING	1			
14	71158-103	RATCHET ASS Y	1			
15	11102-235	HOLDER	1			
16	31034-170	PIN	2			
17	68013-266	SPRING	1			
19	31057-181	BOLT	2			
20	68036-101	WASHER (9x25x2.3)	2			
21	11006-151	STAY C.P.	1			
22	11006-152	STAY C.P.	1			
23	342L0612	FLANGE TAPPING BOLT	2			
24	31057-255	BOLT (M8x25)	2			
25	584L0800	U-FLANGE NUT	2			
26	71122-112	ADJUSTER ASS Y	1			
27	11142-131	ADJUSTER	1			
28	945L0349	BEARING (F-PC0349L)	1			
30	71122-113	ADJUSTER ASS Y	1			
31	11142-132	ADJUSTER	1			
32	945L0349	BEARING (F-PC0349L)	1			
34	11150-105-09	ADJUST LEVER	2			
35	36061-121	KNOB	2			

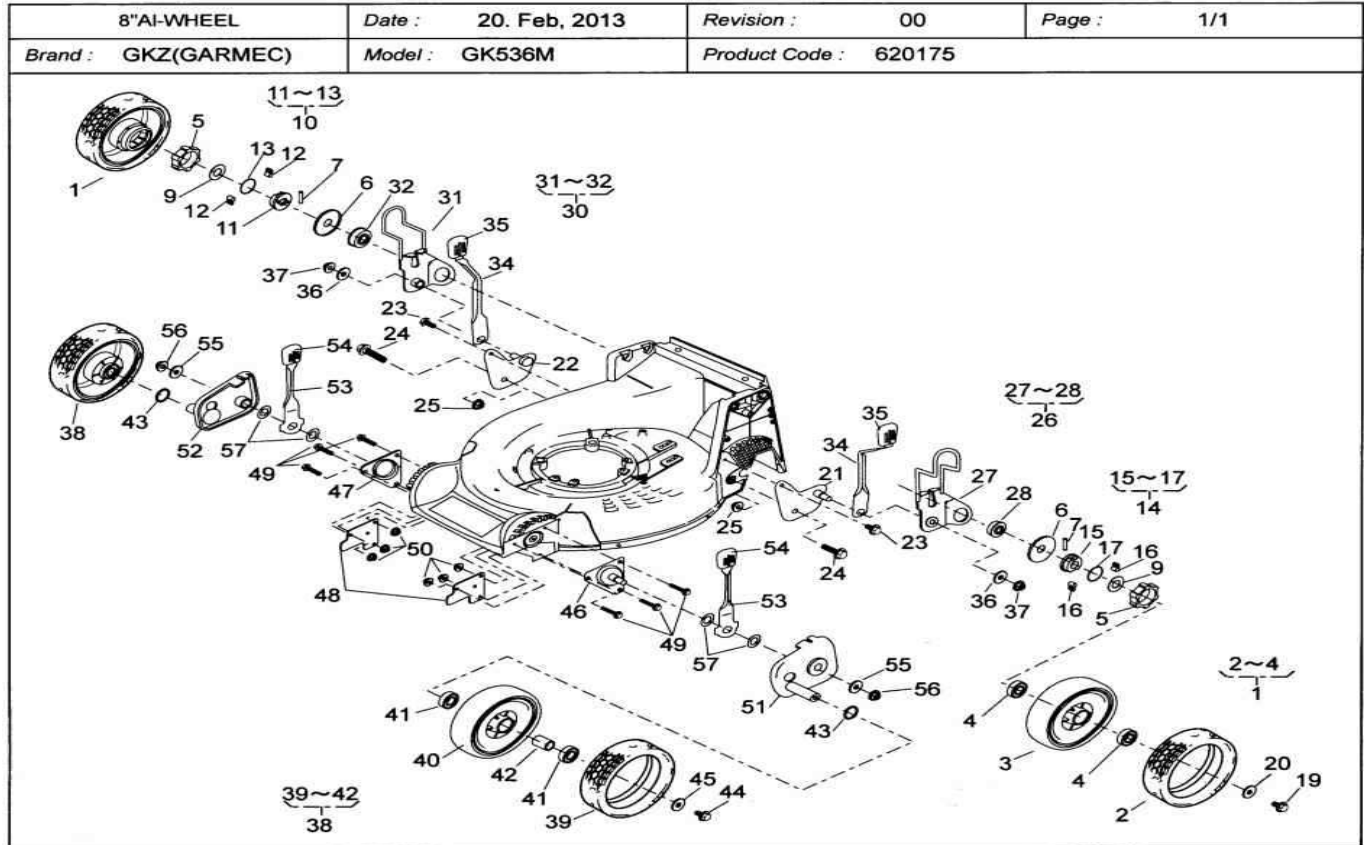
Select brand Product range Model name

Select model code ..Choose section

Indicate component part ...Choose section

Indicate engine model Choose. ...Choose section

※Enter information in the green box to narrow down the search and then click the "Search" button.



- (A) GK536M
- (B)
- (C)

36	613L0800	PLAIN WASHER	2			
37	569L0800	FLANGE NYLON NUT	2			
38	71041-135	WHEEL ASS Y	2			
39	91086-113	TIRE	2			
41	916B6002	BEARING (6002DDC3)	4			
42	11083-332	COLLAR	2			
43	51113-119	RING	2			
44	31057-181	BOLT	2			
45	68036-101	WASHER (9x25x2.3)	2			
46	11006-153	STAY C.P.	1			
47	11006-154	STAY C.P.	1			
48	11113-409	STAY	2			
49	335L0625	FLANGE BOLT	6			
50	569L0600	FLANGE NYLON NUT	6			
51	11142-129	ADJUSTER	1			
52	11142-130	ADJUSTER	1			
53	11150-109-09	ADJUST LEVER	2			
54	36061-121	KNOB	2			
55	68036-101	WASHER (9x25x2.3)	2			
56	584L0800	U-FLANGE NUT	2			
57	68013-393	SPRING	4			

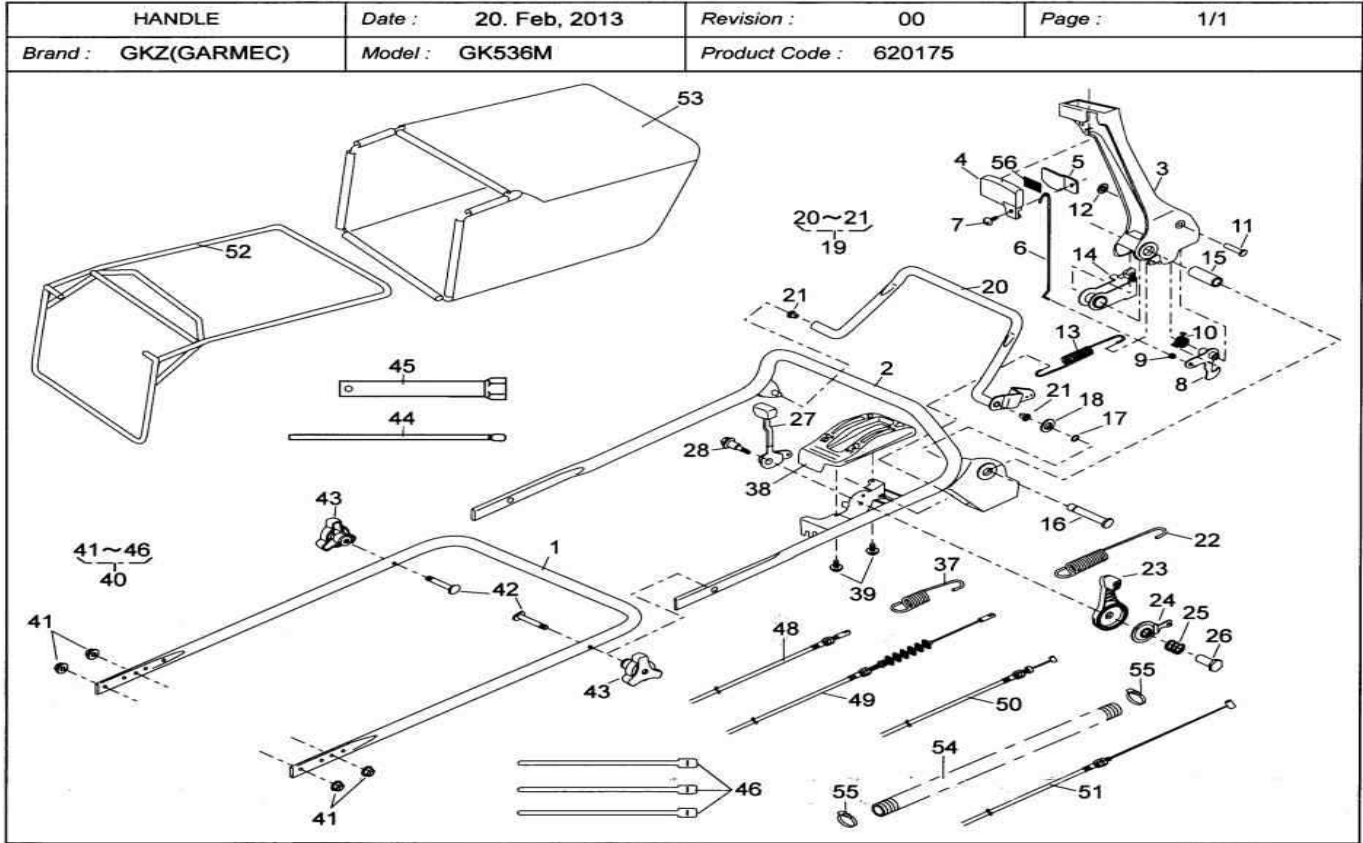
Select brand Product range Model name

Select model code ..Choose section

Indicate component part ...Choose section

Indicate engine model Choose. ...Choose section

※Enter information in the green box to narrow down the search and then click the "Search" button.



(A) GK536M

(B)

(C)

Ref.No	Parts.No	Parts.Name	(A)Q'ty	(B)Q'ty	(C)Q'ty	Remark
1	51027-266-103	HANDLE	1			
2	51027-267-103	HANDLE	1			
3	11095-172	LEVER	1			
4	36110-102	BUTTON	1			
5	11049-109	SLIDE PLATE	1			
6	64014-336	SHAFT	1			
7	376L0612	(+)TRUSS SCREW	1			
8	71203-135	ARM C.P.	1			
9	76007-183	BUSH	1			
10	68013-371	SPRING	1			
11	31056-127	GIB-HEADED PIN	1			
12	576V0600	PUSH NUT	1			
13	68013-392	SPRING	1			
14	11109-111	LINK	1			
15	61023-190	SLEEVE	1			
16	64014-337	SHAFT	1			
17	812V0800	C-SNAP RING	1			
18	613L0800	PLAIN WASHER	1			
19	71161-114-09	LEVER ASS Y	1			
21	76007-131	BUSH	2			
22	68013-391	SPRING	1			
23	91010-169	THROTTLE LEVER	1			
24	61003-113	THRUST PLATE	1			
25	68013-356	SPRING	1			
26	31058-168	HEXAGON NUT	1			
27	11095-117	LEVER	1			
28	31062-109	PRE-COAT LOCK BOLT	1			
37	68013-161	SPRING	1			
38	71900-796	COVER ASS Y	1			
39	470L0514	(+)TAPPING SCREW	2			

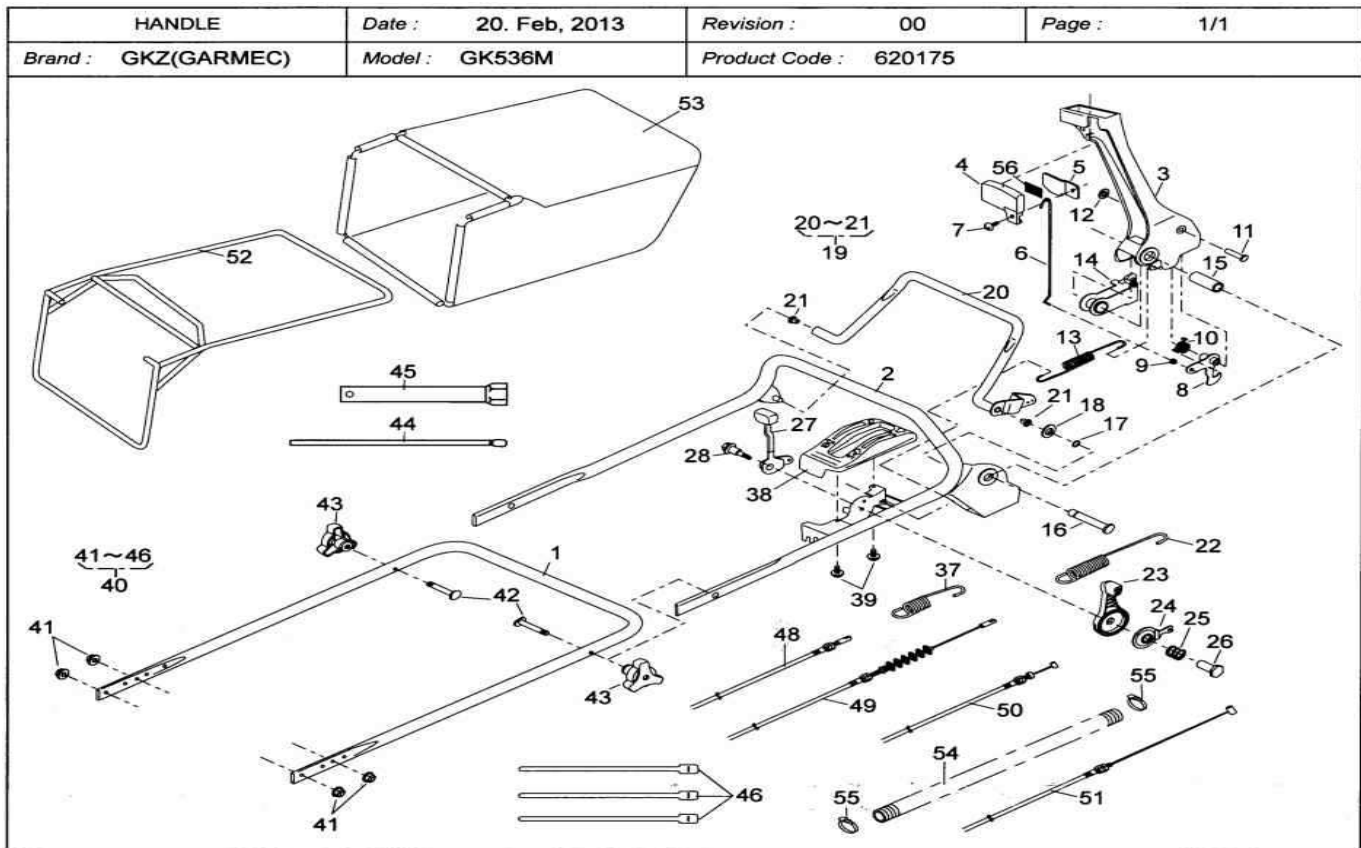
Select brand Product range Model name

Select model code ..Choose section

Indicate component part ...Choose section

Indicate engine model Choose. ...Choose section

※Enter information in the green box to narrow down the search and then click the "Search" button.



- (A) GK536M
- (B)
- (C)

40	71906-142		1		
41	569L0800	FLANGE NYLON NUT	4		
42	31057-134	BOLT	2		
43	36061-118	KNOB	2		
44	66008-103	PLUG BOX BAR (8x200)	1		
45	66006-125	BOX SPANNER	1		
46	68028-118	WIRE BAND (GT280)	3		
48	91003-125	CONTROL CABLE(SPEED)	1		
49	91003-180	CONTROL CABLE(DRIVE)	1		
50	91001-329	THROTTLE WIRE	1		
51	91003-169	CONTROL CABLE(BBC)	1		
52	11062-178	FRAME C.P.	1		
53	36098-136	GRASS BAG C.P.	1		
54	41003-201	TUBE (15.6x800L)	1		
55	68028-119	WIRE BAND (SHT18R-W)	2		
56	36080-156	RUBBER SHEET	1		

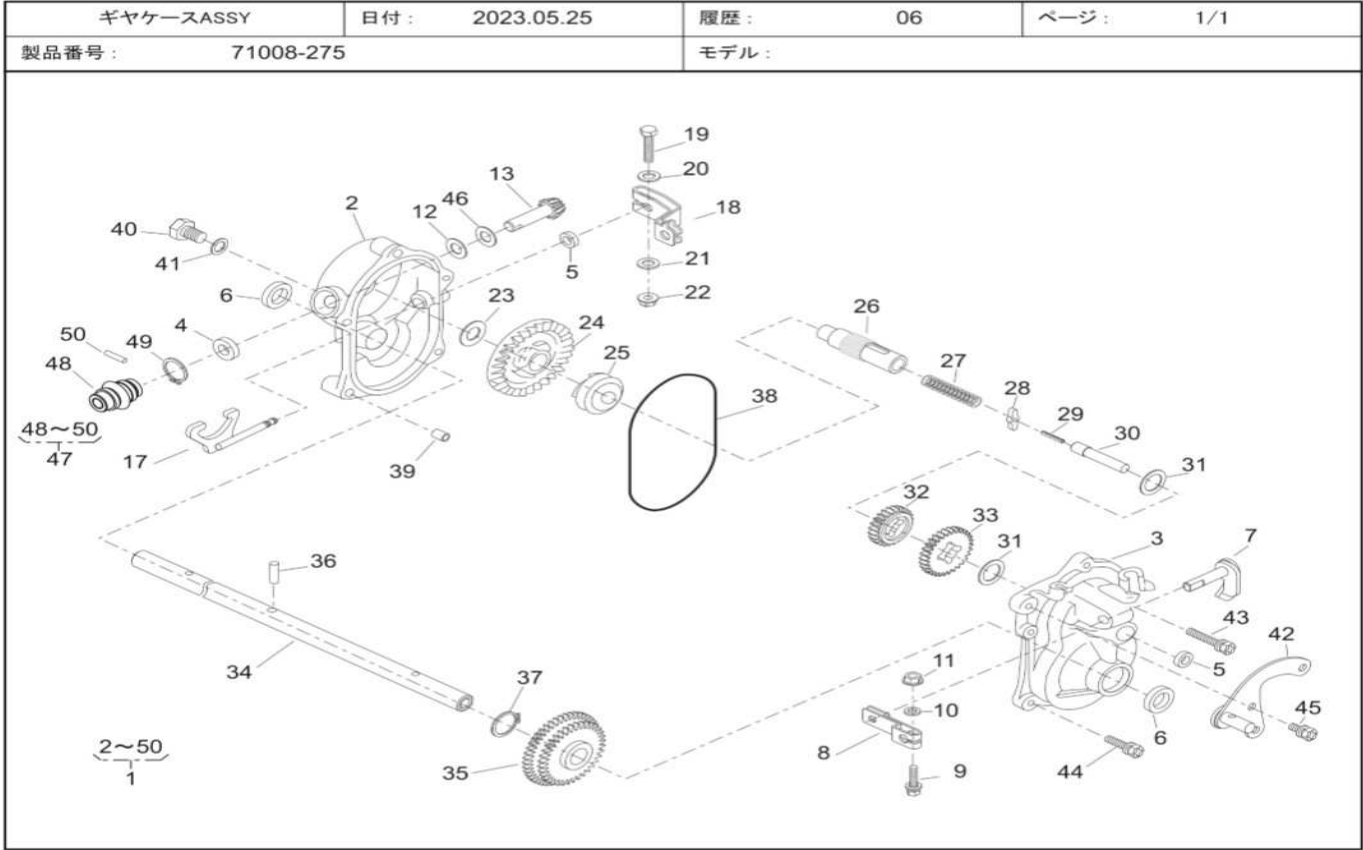
Select brand Product range Model name

Select model code ..Choose section

Indicate component part ...Choose section

Indicate engine model Choose. ...Choose section

※Enter information in the green box to narrow down the search and then click the "Search" button.



- (A)
- (B)
- (C)

Ref.No	Parts.No	Parts.Name	(A)Q'ty	(B)Q'ty	(C)Q'ty	Remark
1	71008-275	GEAR CASE ASS Y	1			
2	51001-195	GEAR CASE	1			
3	51001-196	GEAR CASE	1			
4	61002-161	OIL SEAL (SD10205)	1			
5	61002-162	OIL SEAL (SD08144)	2			
6	61002-163	OIL SEAL (SD15245)	2			
7	64024-104	SHIFTER SHAFT	1			
8	11104-119	ARM	1			
9	320L0525	(+)HEX. BOLT(W/PW)	1			
10	611L0500	PLAIN WASHER	1			
11	571L0500	FLANGE NUT	1			
12	61003-109	THRUST PLATE	1			
13	78003-130	PINION	1			
17	11097-120	SHIFTER FORK	1			
18	11104-137	ARM	1			
19	311M0630	HEX. BOLT	1			
20	611L0600	PLAIN WASHER	1			
21	613L0600	PLAIN WASHER	1			
22	571L0600	# FLANGE NUT	1			
23	61003-122	THRUST PLATE	1			
24	78001-162	BEVEL GEAR	1			
25	11129-107	CLUTCH	1			
26	64014-236	SHAFT	1			
27	68013-262	SPRING	1			
28	31034-199	PIN	1			
29	736U0320	SPRING PIN	1			
30	64014-235	SHAFT	1			
31	61024-118	SPACER	2			
32	78004-156	GEAR	1			
33	78004-155	GEAR	1			

Print

Menu

Select brand etc

Product range

Lawn Mower

Model name

GK536M

Search

Select model code 620175 : LM5360HXA-175 RD

..Choose section GEAR CASE ASS Y

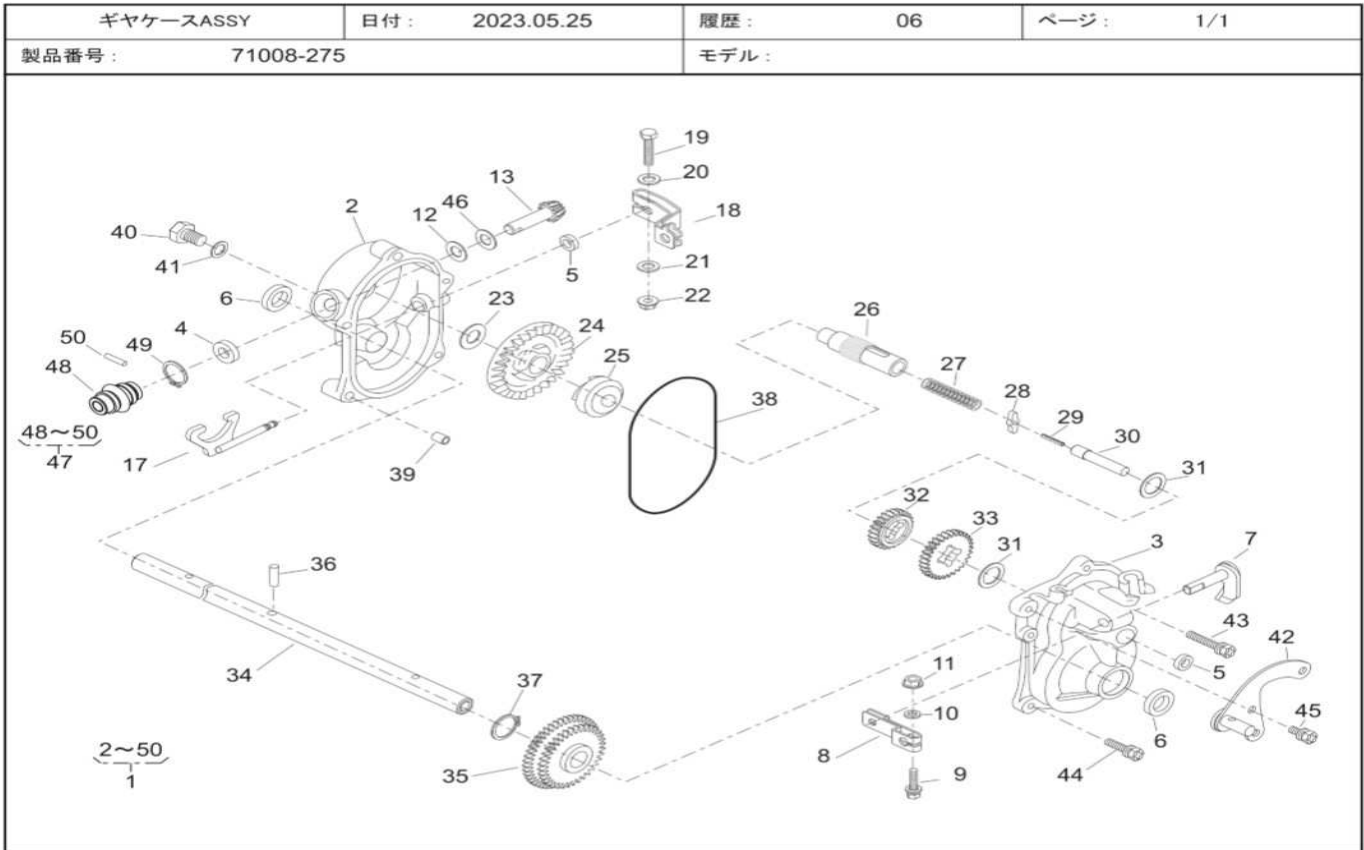
Indicate component part

...Choose section

Indicate engine model Choose. Search

...Choose section

※Enter information in the green box to narrow down the search and then click the "Search" button.



- (A)
- (B)
- (C)

34	64014-163	SHAFT	1			
35	78012-107	GEAR C.P.	1			
36	31034-150	PIN	1			
37	812V2200	C-SNAP RING	1			
38	214B11000	O-RING S110	1			
39	11083-201	COLLAR	2			
40	31057-262	BOLT	1			
41	68001-110	FIBER WASHER	1			
42	11006-165	STAY C.P.	1			
43	315L0625	HEX. BOLT(W/SW.PW)	3			
44	315L0635	HEX. BOLT(W/SW.PW)	2			
45	318L0612	(+)HEX. BOLT(W/SW)	1			
46	68007-132	SHIM (10.5x18x0.3)	0~2			
47	91097-101	UNIVERSAL JOINT	1			
49	812V2000	C-SNAP RING	1			
50	717B0418	PARALLEL PIN	1			

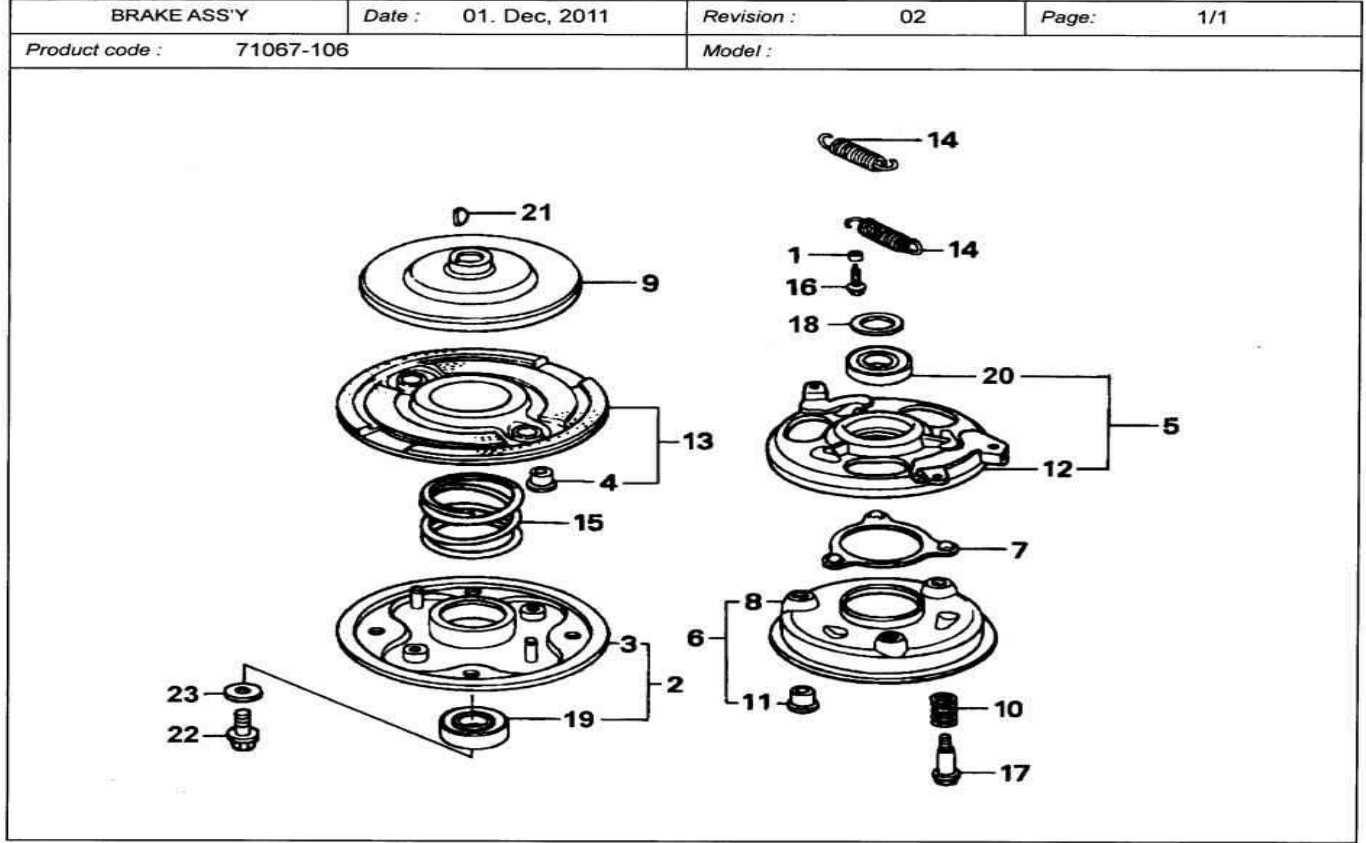
Select brand Product range Model name

Select model code ..Choose section

Indicate component part ...Choose section

Indicate engine model Choose. Search ...Choose section

※Enter information in the green box to narrow down the search and then click the "Search" button.



- (A) 71067-106
- (B)
- (C)

Ref.No	Parts.No	Parts.Name	(A)Q'ty	(B)Q'ty	(C)Q'ty	Remark
1	19512-883-000	COLLAR.FAN	2			
2	72600-VA4-010	HOLDER ASS Y	1			
3	72610-VA4-000	BLADE HOLDER C.P.	1			
4	72613-VA4-000	BUSH.BLADE HOLDER	2			
5	75090-VA4-030	CONTROL ASS Y	1			
6	75100-VA4-010	BRAKE C.P.	1			
7	75110-VA4-000	BALL RETAINER C.P.	1			
8	75120-VA4-010	DISK.BRAKE	1			
9	75130-VA4-000	BRAKE DISK	1			
10	75132-VA4-000	SPRING.BRAKE HOLDER	3			
11	75133-VA4-000	BUSH.BRAKE HOLDER	3			
12	75140-VA4-020	BALL CONTROL PLATE	1			
13	75150-VA3-J01	DRIVEN DISK C.P.	1			
14	75182-VA3-J00	SPRING.CLUTCH RETURN	2			
15	75183-VA3-J00	CLUTCH SPRING	1			
16	90014-952-000	FLANGE BOLT (6x14)	4			
17	90021-VA4-000	BOLT.SPECIAL (6mm)	3			
18	90501-952-010	THRUST WASHER	1			
19	91102-VA4-013	RADIAL BALL BEARING	1			
20	91103-VA4-003	RADIAL BALL BEARING	1			
21	94401-16150	WOODRUFF KEY (16x15)	1			
22	90105-960-003	BOLT (10x25)	1			
23	90409-952-000	WASHER (10mm)	1			

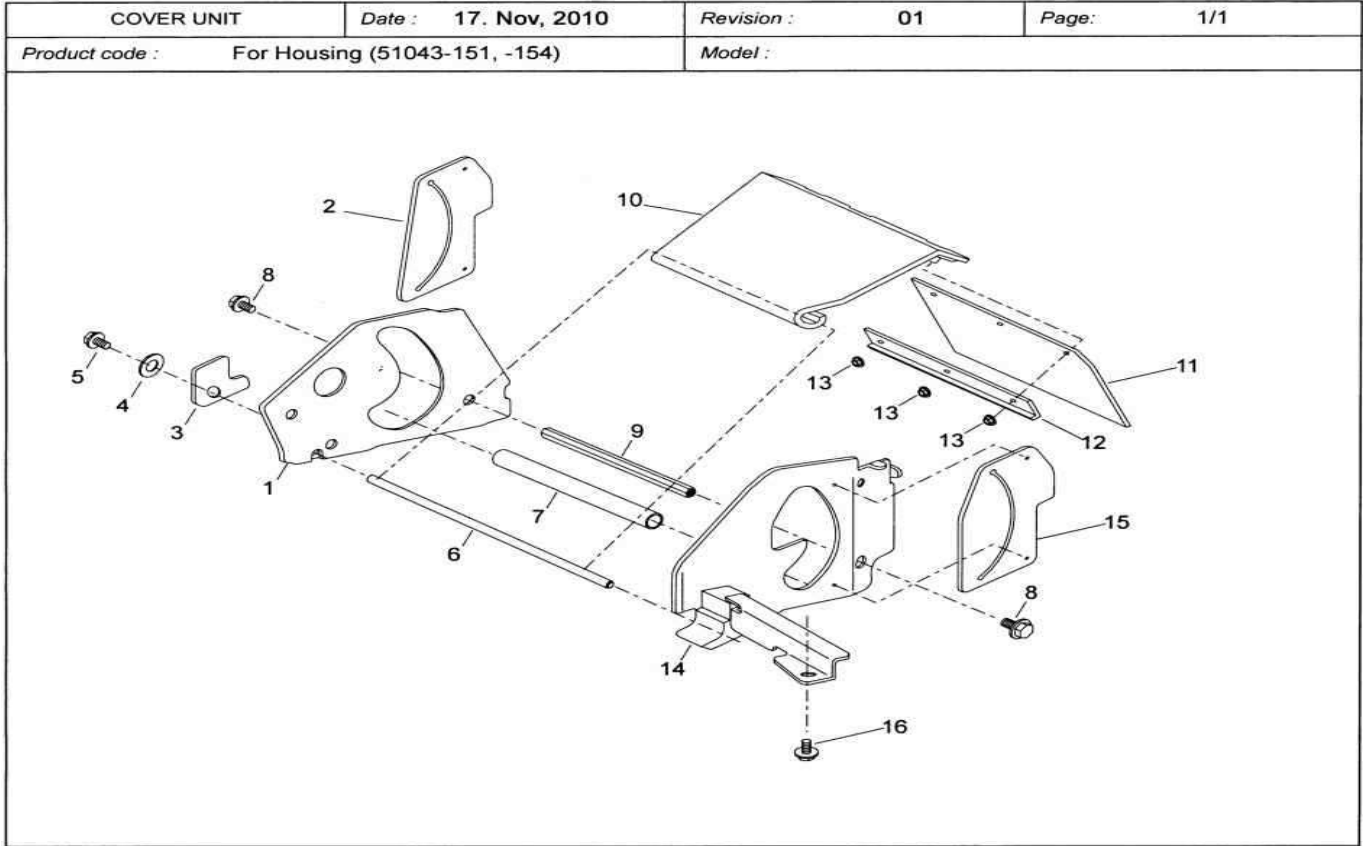
Select brand Product range Model name

Select model code ..Choose section

Indicate component part ...Choose section

Indicate engine model ...Choose section

※Enter information in the green box to narrow down the search and then click the "Search" button.



(A) For Housing (51043-151.-154)

(B)

(C)

Ref.No	Parts.No	Parts.Name	(A)Q`ty	(B)Q`ty	(C)Q`ty	Remark
1	11006-166	STAY C.P.	1			
2	36080-154	RUBBER SHEET	1			
3	11113-420	STAY	1			
4	613L0800	PLAIN WASHER	1			
5	423U0812	SOCKET SCREW FLANGE	1			
6	64014-373	SHAFT	1			
7	11083-387	COLLAR	1			
8	31057-181	BOLT	2			
9	64014-374	SHAFT	1			
10	51079-124	COVER C.P.	1			
11	36080-153	RUBBER SHEET	1			
12	11050-182	FIXING PLATE	1			
13	569L0400	FLANGE NYLON NUT	3			
14	11006-167	STAY C.P.	1			
15	36080-155	RUBBER SHEET	1			
16	342L0612	FLANGE TAPPING BOLT	1			